

SNC-HMX70

360-degree Hemispheric-view Camera with a 12-megapixel CMOS Sensor

SONY

- 12MP / 30fps capability
- Sony 1/2.3-inch CMOS sensor
- 360 degree hemispheric imaging technology with E-PTZ functionality
- Edge or client-side de-warping for easy integration
- Smart codec with intelligent noise reduction
- In-camera video analytics
- Video authentication capability – watermark
- SD card slot supports SDHC and SDXC
- Bi-directional Audio
- 180 degree mode for wall mount applications



KEY FEATURES

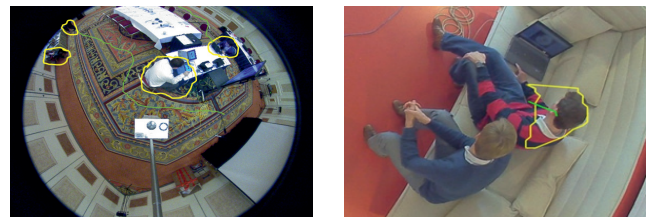
- 360° hemispheric image capture for wide area surveillance and situational awareness.



360° view of SNC-HMX70

- 30fps full framerate overview video to capture every incident.
- Wide Dynamic range of 92dB with electronic tone adjustment to get the best exposure over the whole image area.
- Client-side dewarping, the camera streams a single circular non-dewarped image at 30 fps.
- The edge dewarping in the camera provides three separate video channels simultaneously at 12.5 fps:
 - Full image circle (Video 1 channel)
 - Dewarped view mode (Video 2 channel)
 - E-PTZ (Video 3 channel)
- Built-in microphone to allow live/recording audio during critical incidents to support the video evidence.
- True Day /Night with IR corrected lens can provide 360° coverage in complete darkness when used with suitable IR illuminator(s).

- Smart codec H.264 combined with intelligent noise reduction, ensures bandwidth optimized video streams and cost effective storage.
- Essential video analytics are built in to the camera, providing reliable object detection, line cross detection, loitering, left/removed object detection, object counting, route detection and other features.



With latest Essential Video Analysis (EVA)

- ONVIF (Open Network Video Interface Forum) Profile S conformance firmware that ensures greater interoperability and more flexibility in building multi-vendor systems
- Edge Storage – the camera is equipped with internal RAM that supports 10 sec of pre-alarm recording, it also has an SD card slot to expand on-board storage.



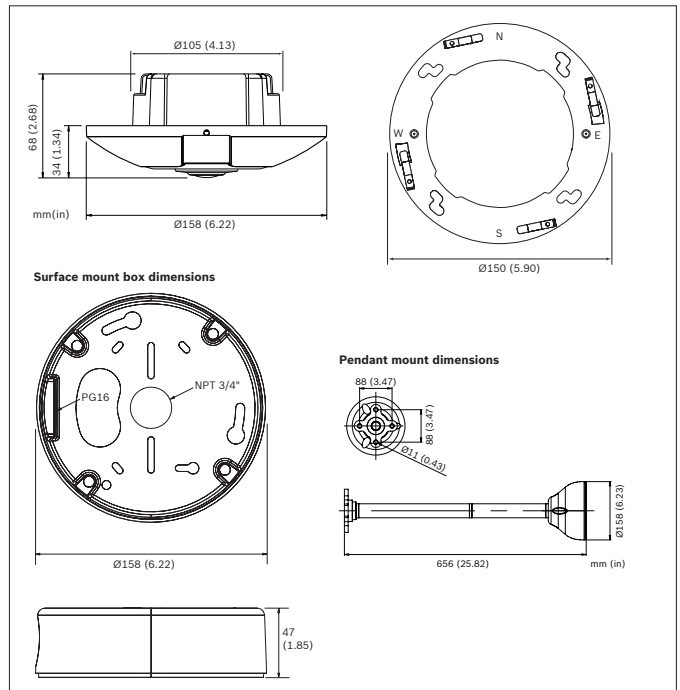
Sony Video Security driven by Bosch

Technical specifications

Power	
Power Supply	Power-over-Ethernet 48 VDC nominal
Power Consumption	140 mA
PoE	IEEE 802.3af (802.3at Type 1)
Sensor	
Type	1/2.3-inch CMOS
Total sensor pixels	12MP
Used pixels (360° version)	2640 x 2640 (7MP)
Video performance – Sensitivity – 360° lens	
(3100K, reflectivity 89%, F2.8, 30IRE)	
Color	0.55 lx
B/W	0.18 lx
Video performance – Dynamic range	
Dynamic range	92 dB WDR (+16 dB IAE)
Video streaming	
Video compression	H.264 (MP); M-JPEG
Streaming	Multiple configurable streams in H.264 and M-JPEG, configurable frame rate and bandwidth. Multiple channels with edge dewarping. Regions of Interest (ROI)
Overall IP Delay	Min. 120 ms, Max. 340 ms
Encoder Regions/Region of interest (ROI)	Eight independent areas for setting encoder quality to optimize bitrate.
Video resolution (H x V) – 360° version	
Video 1 channel	Full image circle 2640 x 2640
Video 2 channel	Full panoramic 3584 x 504
	E-PTZ 1536 x 864
	Quad 1536 x 864
	Panoramic 2688 x 800
	Double panoramic 1920 x 1080
	Corridor 1600 x 1200
Video 3 channel	E-PTZ 1280 x 720
Video functions	
Day/Night	Color, Monochrome, Auto (adjustable switchover points)
Adjustable picture settings	Contrast, Saturation, Brightness
White Balance	2500 to 10000K, 4 automatic modes (Basic, Standard, Sodium vapor, Dominant color), Manual mode and Hold mode
Shutter	1/30 to 1/15000 sec
Sharpness	Sharpness enhancement level selectable
Backlight compensation	Off / On / Intelligent Auto Exposure (BLC)
Noise reduction	Intelligent Dynamic Noise Reduction with separate temporal (2D) and spatial (3D) adjustments
Intelligent defog	Intelligent Defog automatically adjusts parameters for best picture in foggy or misty scenes (switchable)
Privacy Masking	Eight independent areas, fully programmable
Video Analytics	Essential Video Analytics
Display stamping	Individual names and stamps for all video channels
Other functions	Pixel counter, Video watermarking, Location
Video Authentication	Watermark
Optical	
Lens (360° version)	1.6 mm fixed-focus lens (IR corrected), F2.8
Lens mount	Board mounted
Iris control	Fixed iris
Field of view (360° version)	180° (H) x 180° (V)
Minimum object distance	0.1 m
True Day/Night	Switched mechanical IR filter
Audio	
Audio input	Integrated microphone
Audio streaming	
Standard	G.711, 8 kHz sampling rate L16, 16 kHz sampling rate AAC-LC, 48 kbps at 16 kHz sampling rate AAC-LC, 80 kbps at 16 kHz sampling rate
Signal-to-Noise Ratio	>50 dB
Audio Streaming	Full-duplex / half duplex

Local storage	
Internal RAM	10 s pre-alarm recording
Memory card slot	Supports up to 32 GB SDHC / 2 TB SDXC card. (An SD card of Class 6 or higher is recommended for HD recording)
Recording	Continuous recording, ring recording, alarm/events/schedule recording
Software	
Unit discovery	SNC-Toolbox
Unit configuration	via web browser or SNC toolbox
Firmware update	Remotely programmable
Software viewing	Web browser; Video Security Client; Video Security App; Bosch Video Management System; Bosch Video Client; or third party software
Latest firmware and software	https://us.professional.sony.com/pro/products/video-security-firmware
Network	
Protocols	IPv4, IPv6, UDP, TCP, HTTP, HTTPS, RTP/RTCP, IGMP V2/V3, ICMP, ICMPv6, RTSP, FTP, Telnet, ARP, DHCP, APIPA (Auto-IP, link local address), NTP (SNTP), SNMP (V1, MIB-II), 802.1x, DNS, DNSv6, DDNS (DynDNS.org, selfHOST.de, no-ip.com), SMTP, iSCSI, UPnP (SSDP), DiffServ (QoS), LLDP, SOAP, Dropbox, CHAP, digest authentication
Encryption	TLS 1.2, SSL, DES, 3DES
Ethernet	10/100 Base-T, auto-sensing, half/full duplex
Connectivity	Auto-MDIX
Interoperability	ONVIF Profile S; GB/T 28181
Mechanical	
Dimensions	158 x 33 mm (6.22 x 1.30 in)
Weight	445 g (0.98 lb)
Operating Temperature	-20°C to +40°C (-4°F to 104°F)
Storage Temperature	-20°C to +60°C (-4°F to 140°F)
Operating humidity	20% to 93% RH
Storage humidity	up to 98% RH

DIMENSIONS



© Bosch Sicherheitssysteme GmbH, 2018. Modifications reserved.
SONY, Exmor and Exmor R are trademarks of Sony Corporation.
All other trademarks are the property of their respective owners.

MK11125V30HB14JUN