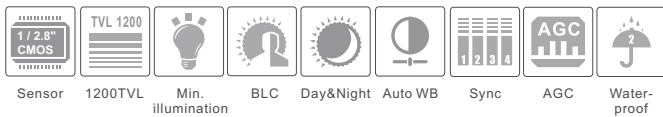


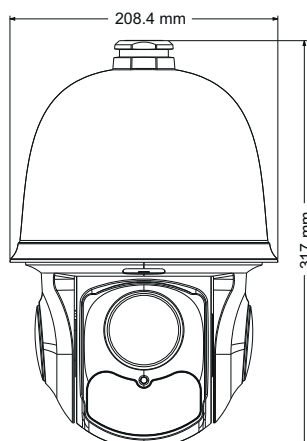
VTC-S33-IR



Features

- 1 / 2.8" progressive CMOS, 20x optical zoom
- Auto iris, auto focus, auto white balance, BLC and 3D DNR
- HD network video output : 2048 × 1536 @30fps
- HD analog video output : AHD and TVI optional, 1920 × 1080 @30fps
- H.265 and H.264 network image compression format
- TCP / IP, UDP, DHCP, UPnP, DDNS, NTP, RTSP, SMTP, FTP, PPPoE, IPv4
- SD card local storage, network remote storage
- Web GUI Menu
- Efficient IR array, low power consumption, up to 100m IR night view distance
- Built-in heat treatment device to lower the inside temperature and avoid fogging of the camera rear cover
- Using 3D intelligent position function through the DVR, client software and web client to realize tracking and amplification
- Power off memory — restoring the PTZ and lens status automatically to its previous status (the status just before the dome is powered off) after the dome is powered on
- IP66 ingress protection; TVS 6000V lightning protection, surge protection 1 CH audio input and 1 CH audio output
- Precision motor driving, sensitive response, smoothly running, less than 0.1° precision error and no image floating at any speed
- Support home position function

Dimensions



Specifications

Specifications	Model	VTC-S33-IR
Camera Module		
Image Sensor		1 / 2.8" Progressive Scan CMOS
Effective Pixels		3MP
White Balance		Auto / Manual
AGC		Auto / Manual
3D DNR		Yes
Lens		
Focal Length		5.5 ~ 110 mm
Function		
Pan Range		360° endless rotation
Pan Speed		Manual control speed: 0.5° ~ 80°/s; preset speed: 150°/s
Tilt Range		0 ~ 93°
Tilt Speed		Manual control speed: 0.5° ~ 70°/s; preset speed: 150°/s
Zoom		Yes
Preset		360 presets
Cruise		8 cruises, 16 presets for each cruise
Scan		2 scans
Track		4 tracks, 3 minutes' recording for each track
Time Task		Yes
Home Position		Yes
Power Off Memory		Yes
IR Function		
IR Distance		100 m
IR Control		Brightness and angle of the IR LEDs to be smartly adjusted according to the scenes
Network		
Max Image Size		2048 × 1536
Resolution		Main stream : 2048 × 1536, 1920 × 1080, 1280 × 720 Sub stream : 704 × 576, 352 × 288 Third stream : 480 × 240, 352 × 288, 704 × 576
Video Compression		H.265 / H.264 / MJPEG
Video Compression Protocol		G.711A / G.711U
Network Protocol		TCP / IP, UDP, DHCP, UPnP, DDNS, NTP, RTSP, SMTP, FTP, PPPoE, IPv4
Preview Video channels		Max 10 CH
HD Analog		
Max. Image Size		1920 × 1080
Video Output		AHD and TVI optional
System Integration		
Alarm Input		4 CH (5 ~ 12V DC)
Alarm Output		1 CH, support alarm trigger (preset, snapshot, FTP uploading and email trigger)
Network Interface		Built-in RJ45 network port, support 10M / 100M network data
SD Card Interface		Built-in Micro SD card slot, support manual recording
RS485 Control		PelcoD / P protocol, custom protocols available
API		API, SDK, ONVIF, GB / T28181
Analog HD Output		BNC
Web Client		Web 4.0
General Specifications		
OSD Menu		Chinese / English
Power Supply		DC24V 3000 mA (15W, max 65W)
Working Environment		-20 ~ 60°C; relative humidity: less than 90%
Protection Level		IP66, IK10, TVS6000V lightning protection, surge protection
Net Weight		3.84KG
Gross Weight		5.83KG (without bracket)